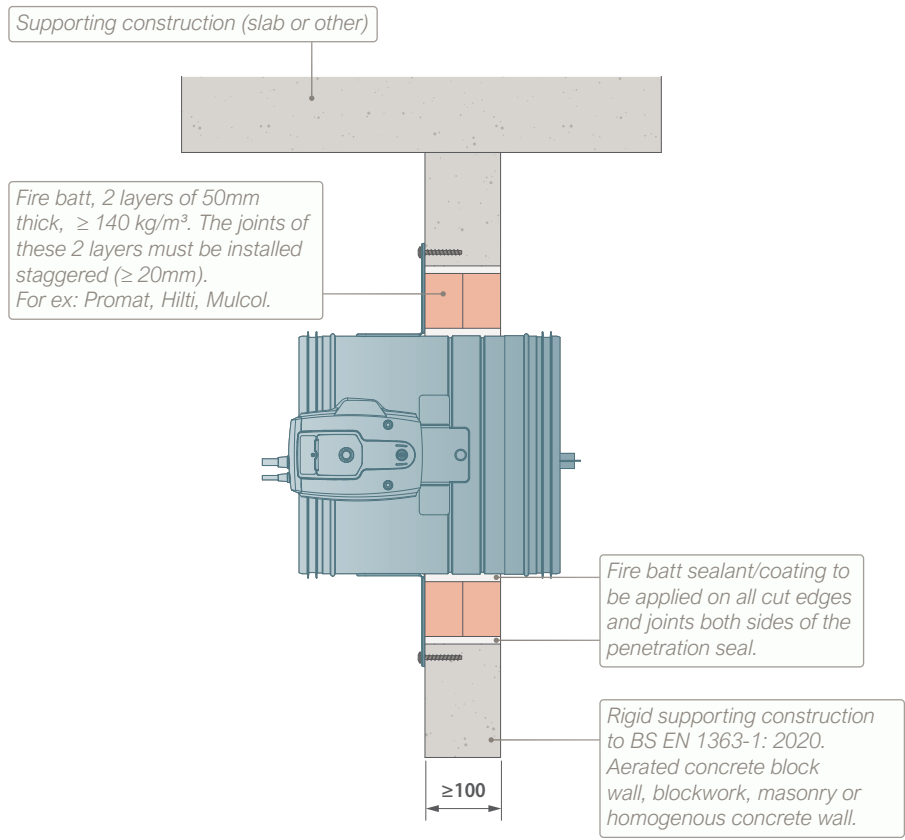
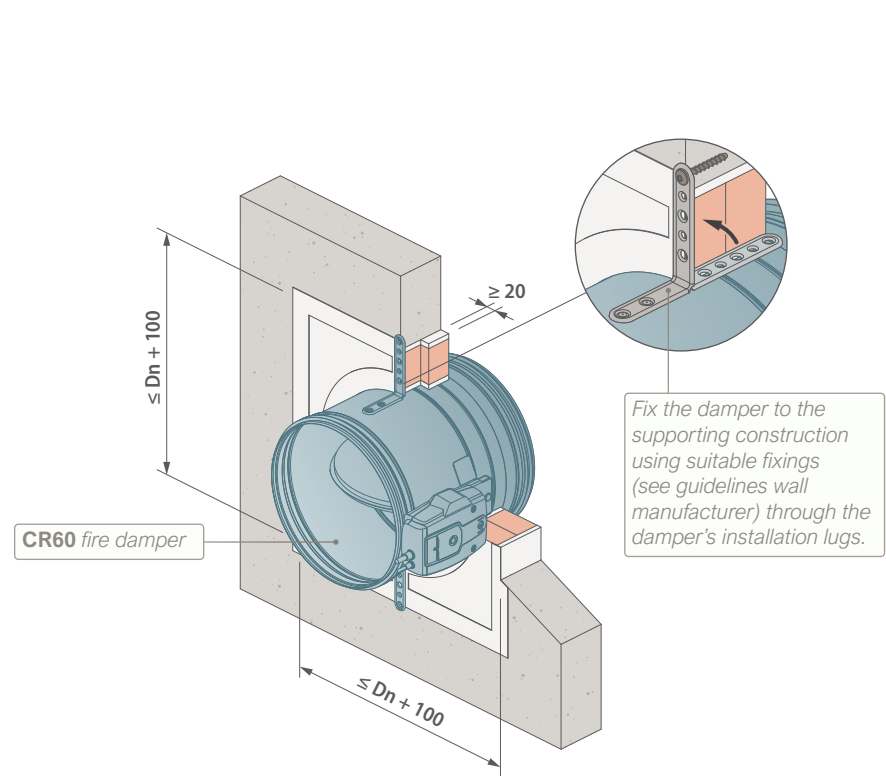
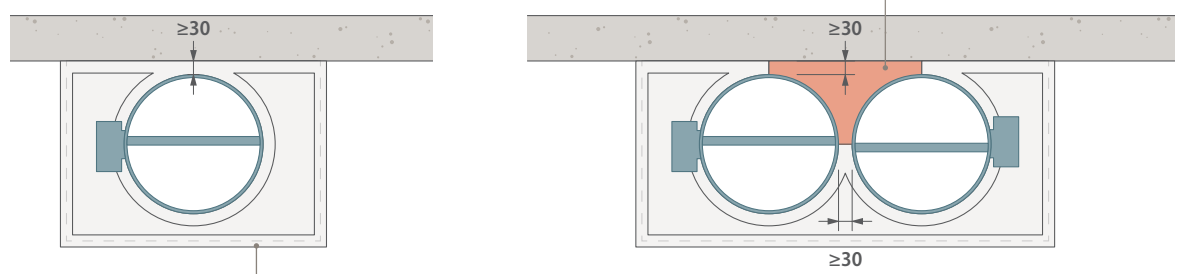


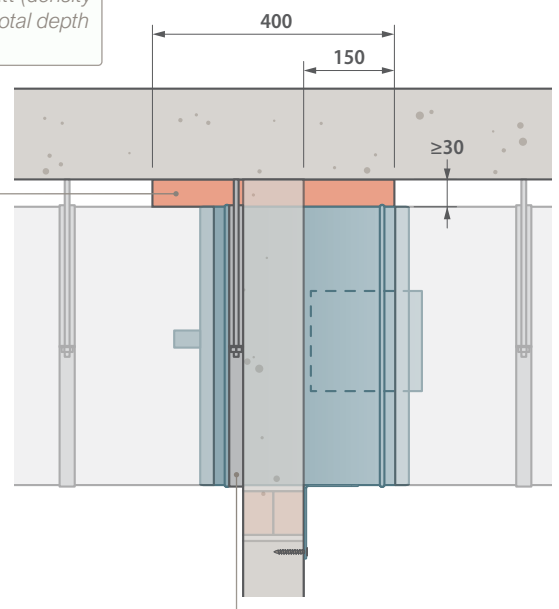
CR60 FIRE DAMPER



If 2 dampers close to each other:
 If distance from damper tunnel to damper tunnel ≥ 30 and < 200 mm and if distance from damper tunnels to horizontal supporting construction ≥ 30 and < 75 mm: apply fire batt (density min. 150kg/m^3) between fire dampers and horizontal supporting construction over a total depth of 400 mm. Not required to coat the fire batt nor use coated fire batt.



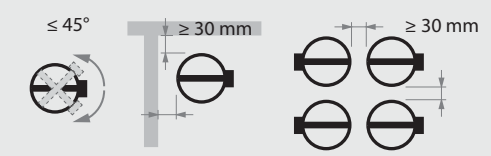
If 1 single damper:
 apply 2 layers of fire batt as shown above.



If not possible to fix the lug to the vertical supporting construction above the damper due to space constraints, suspend the damper from min. M8 drop rod from the horizontal supporting construction. Dimension suspension system acc. to weight and required fire resistance.

TECHNICAL FEATURES

- Damper range: $\varnothing 100$ till 315.
- Damper can be installed with blade in any position. 
- Damper can be installed with mechanism on either side of the wall (independent of fire side).
- Please consult with the fire batt manufacturer for appropriate sealant/coating
- For larger wall openings. See CR60 Fire Damper Technical Datasheet.
- A max. of 4 fire dampers can be installed at tested minimal distances from an adjacent horizontal or vertical (supporting) construction or another fire damper. Blade horizontal or max. 45° . See detailed guidelines in the CR60 Technical Datasheet.



- To be read in conjunction with the CR60 Fire Damper Technical Datasheet.
- Guidelines acc. to DW144/145 (not required for CE):
 - 1 installation lug is included by default. A 2nd lug, as shown in the drawings, is available upon request.
 - Provide appropriate break-away / flexible joint between fire damper and connecting ductwork on both sides of the assembly (DW145: eg socket & spigot or flanged with appropriate fixings eg plastic cleats, clips, clamps, bolts, aluminium alloy rivets etc.).
 - Provide a panel in the adjacent ductwork to allow access to the internal components of the fire damper.
 - Ductwork must be independently supported and installed (DW144).
- Dimensions in mm unless otherwise stated.

TECHNICAL DATASHEET



INSPECTION AND HANDOVER CHECK LIST



PLAN TITLE

CR60 fire damper in rigid supporting construction. Installation detail with fire batt.

CLASSIFICATION

EI 60/90 (ve i↔o)S



REV
B

DATE
22/04/2024

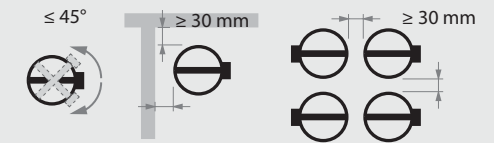


- Damper range: $\varnothing 100$ till 315.
- Damper can be installed with blade in any position.

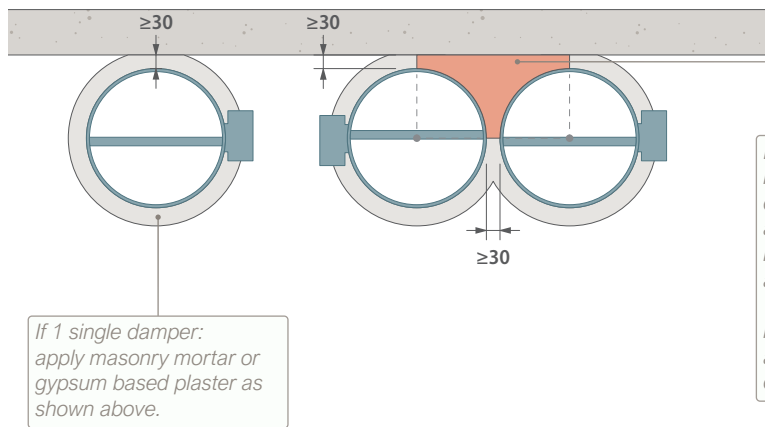
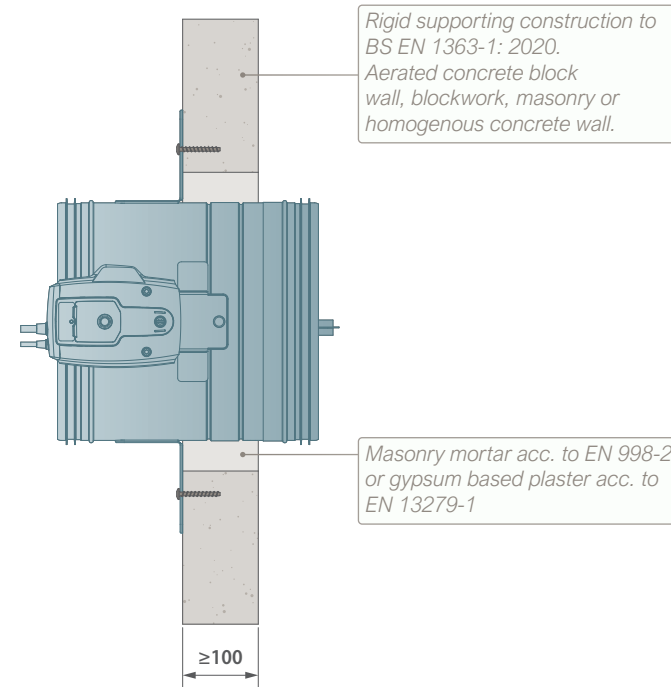
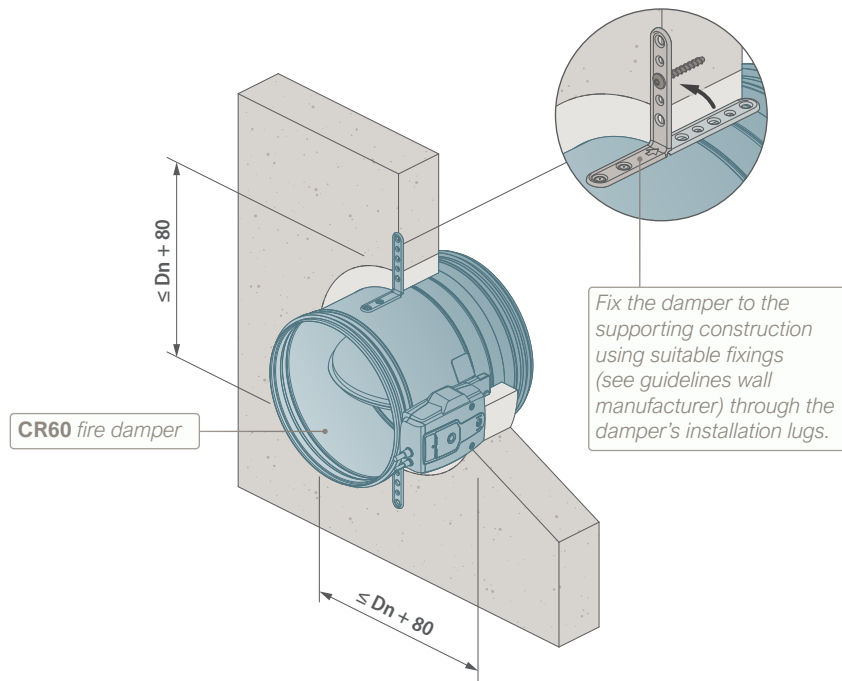
360°



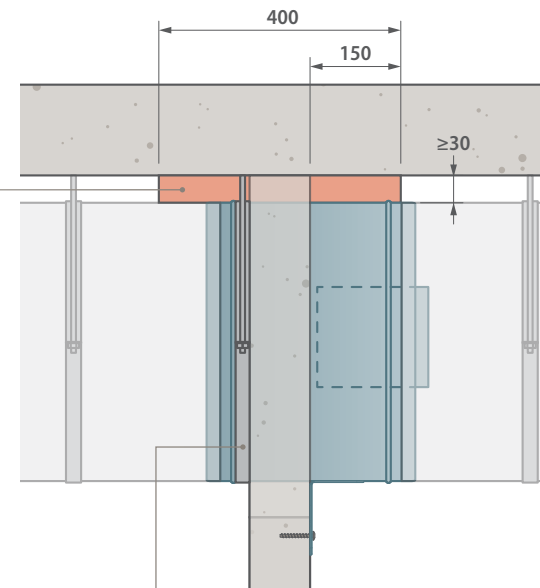
- Damper can be installed with mechanism on either side of the wall (independent of fire side).
- A max. of 4 fire dampers can be installed at tested minimal distances from an adjacent horizontal or vertical (supporting) construction or another fire damper. Blade horizontal or max. 45°. See detailed guidelines in the CR60 Technical Datasheet.



- To be read in conjunction with the CR60 Fire Damper Technical Datasheet.
- Guidelines acc. to DW144/145 (not required for CE):
 - 1 installation lug is included by default. A 2nd lug, as shown in the drawings, is available upon request.
 - Provide appropriate break-away / flexible joint between fire damper and connecting ductwork on both sides of the assembly (DW145: eg socket & spigot or flanged with appropriate fixings eg plastic cleats, clips, clamps, bolts, aluminium alloy rivets etc.).
 - Provide a panel in the adjacent ductwork to allow access to the internal components of the fire damper.
 - Ductwork must be independently supported and installed (DW144).
- Dimensions in mm unless otherwise stated.



If 2 dampers close to each other: if distance from damper tunnel to damper tunnel ≥ 30 and < 200 mm and if distance from damper tunnels to horizontal supporting construction ≥ 30 and < 75 mm: apply fire batt (density min. 150kg/m^3) between fire dampers and horizontal supporting construction over a total depth of 400 mm. Not required to coat the fire batt nor use coated fire batt.



If not possible to fix the lug to the vertical supporting construction above the damper due to space constraints, suspend the damper from min. M8 drop rod from the horizontal supporting construction. Dimension suspension system acc. to weight and required fire resistance.

TECHNICAL DATASHEET



INSPECTION AND HANDOVER CHECK LIST



PLAN TITLE

CR60 fire damper in rigid supporting construction
Installation detail with mortar or gypsum based plaster.

CLASSIFICATION

EI 60/90 (ve i↔o)S

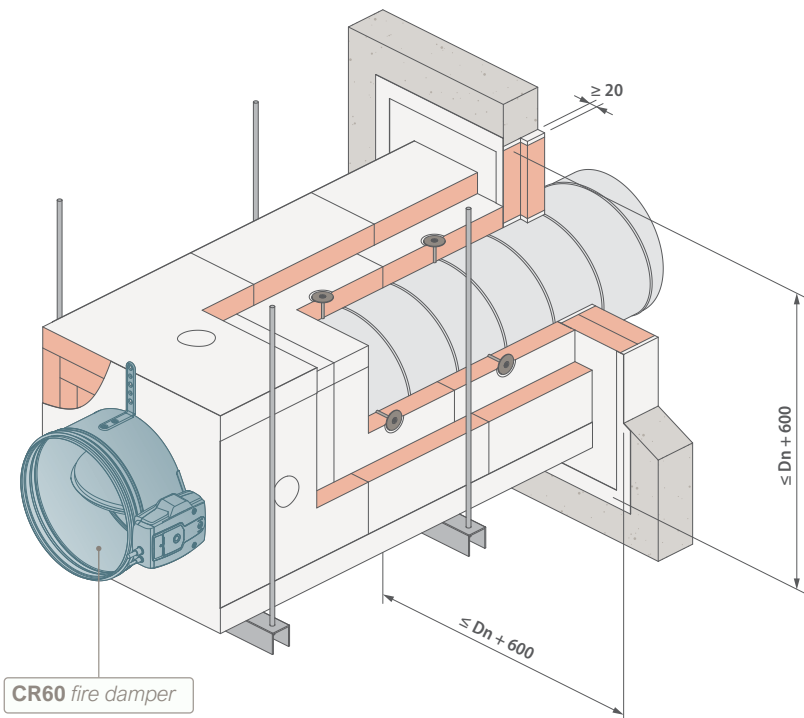


REV
B

DATE
22/04/2024

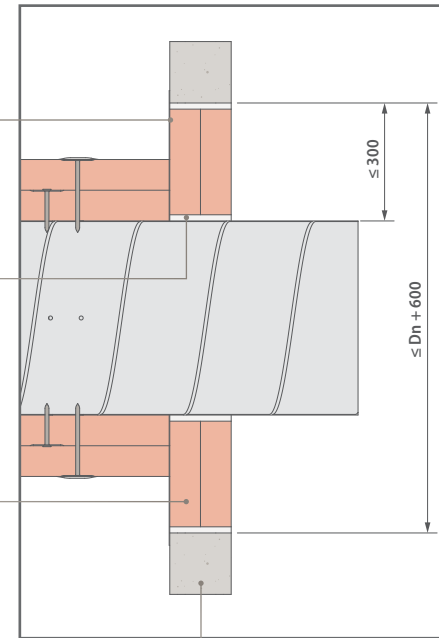


CR60 FIRE DAMPER



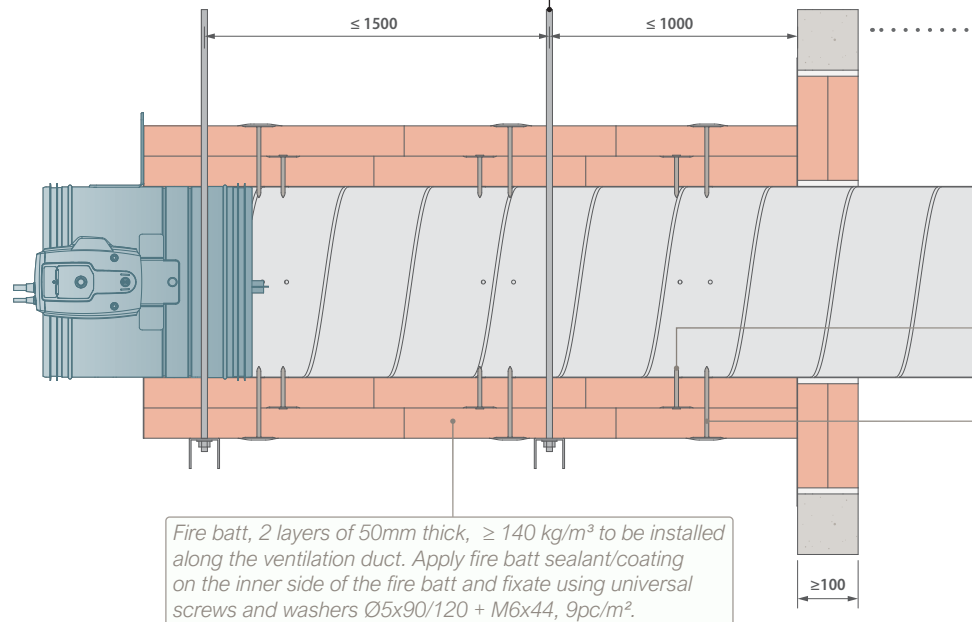
Fire batt sealant/coating to be applied on all cut edges and joints both sides of the penetration seal

Fire batt, 2 layers of 50mm thick, $\geq 140 \text{ kg/m}^3$. The joints of these 2 layers must be installed staggered ($\geq 20\text{mm}$). For ex: Promat, Hilti.



Rigid supporting construction to BS EN 1363-1: 2020. Aerated concrete block wall, blockwork, masonry or homogenous concrete wall.

Ventilation duct and fire batt insulation to be supported by unistrut from min. M8 drop rods, washers and nuts from horizontal supporting construction above.



Universal screw and washer $\text{Ø}5 \times 90 + \text{M}6 \times 44$, 9pc/m²

Universal screw and washer $\text{Ø}5 \times 120 + \text{M}6 \times 44$, 9pc/m²

Fire batt sealant/coating to be applied on all cut edges, joints, screws and washers.

Dimension suspension system acc. to weight and required fire resistance.

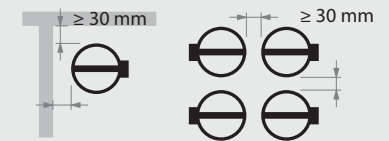
Fire batt, 2 layers of 50mm thick, $\geq 140 \text{ kg/m}^3$ to be installed along the ventilation duct. Apply fire batt sealant/coating on the inner side of the fire batt and fixate using universal screws and washers $\text{Ø}5 \times 90/120 + \text{M}6 \times 44$, 9pc/m².

TECHNICAL FEATURES

- Damper range: $\text{Ø}100$ till 315.
- Install the damper with the blade in horizontal position.



- Damper can be installed with mechanism on either side of the wall (independent of fire side).
- Based on our CE certification, the damper may be installed remote from wall at any distance.
- Please consult with the fire batt manufacturer for appropriate sealant/coating.
- A max. of 4 fire dampers can be installed at tested minimal distances from an adjacent horizontal or vertical (supporting) construction or another fire damper. Install with damper blade in horizontal position. See detailed guidelines in the CR60 Technical Datasheet.



- To be read in conjunction with the CR60 Fire Damper Technical Datasheet.
- Guidelines acc. to DW144/145 (not required for CE):
 - 1 installation lug is included by default. A 2nd lug, as shown in the drawings, is available upon request.
 - Provide appropriate break-away / flexible joint between fire damper and connecting ductwork on both sides of the assembly (DW145: eg socket & spigot or flanged with appropriate fixings eg plastic cleats, clips, clamps, bolts, aluminium alloy rivets etc.).
 - Provide a panel in the adjacent ductwork to allow access to the internal components of the fire damper.
 - Ductwork must be independently supported and installed (DW144).
- Dimensions in mm unless otherwise stated.

TECHNICAL DATASHEET



INSPECTION AND HANDOVER CHECK LIST



PLAN TITLE

CR60 fire damper remote from a rigid supporting construction
Installation detail with fire batt

CLASSIFICATION

EI 60/90 (ve i↔o)S



REV
B

DATE
22/04/2024

